

# **DRONACHARYA**

## **Group of Institutions**

### **DIGITAL ELECTRONICS LAB**

### **LABORATORY MANUAL**

**B.Tech. Semester -IV**

**Subject Code: BEE-453**

**Session: 2023-24, Even Semester**

**DRONACHARYA GROUP OF INSTITUTIONS**  
**DEPARTMENT OF EEE**  
**#27 KNOWLEDGE PARK 3**  
**GREATER NOIDA**

**AFFILATED TO Dr. ABDUL KALAM TECHNICAL UNIVERSITY,**  
**LUCKNOW**

## List of Experiments mapped with COs

S. No.	Name of the Experiment	Course Outcome
1	Introduction to digital electronics lab- nomenclature of digital ICs, specifications, study of the datasheet, Concept of Vcc and ground, verification of the truth tables of logic gates using TTL ICs.	CO1
2	Implementation of the given Boolean function using logic gates in both SOP and POS forms.	CO1
3	Verification of state tables of RS, JK, T and D flip-flops using NAND & NOR gates.	CO2
4	Implementation and verification of Decoder using logic gates.	CO4
5	Implementation and verification of Encoder using logic gates.	CO4
6	Implementation of 4:1 multiplexer using logic gates.	CO3
7	Implementation of 1:4 demultiplexer using logic gates.	CO3
8	Implementation of 4-bit parallel adder using 7483 IC.	CO2
9	Design, and verify the 4-bit synchronous counter.	CO4
10	Design, and verify the 4-bit asynchronous counter.	CO4
11	Implementation of Mini Project using digital integrated circuits and other components.	CO5

# LAB EXPERIMENTS

## **EXPERIMENT NO: 1**

**Aim: - Introduction to Digital Electronics Lab- Nomenclature of Digital Ics, Specifications, Study of the Data Sheet, Concept of  $V_{cc}$  and Ground, Verification of the Truth Tables of Logic Gates using TTL Ics.**

**APPARATUS REQUIRED:** Power Supply, Digital Trainer Kit., Connecting Leads, IC's (7400, 7402, 7404, 7408, 7432, and 7486)

### **BRIEF THEORY:**

**AND Gate:** The AND operation is defined as the output as (1) one if and only if all the inputs are (1) one. 7408 is the two Inputs AND gate IC. A&B are the Input terminals & Y is the Output terminal.

$$Y = A.B$$

**OR Gate:** The OR operation is defined as the output as (1) one if one or more than 0 inputs are (1) one. 7432 is the two Input OR gate IC. A&B are the input terminals & Y is the Output terminal.

$$Y = A + B$$

**NOT GATE:** The NOT gate is also known as Inverter. It has one input (A) & one output (Y). IC No. is 7404. Its logical equation is,

$$Y = A \text{ NOT } B, Y = A'$$

**NAND GATE:** The IC no. for NAND gate is 7400. The NOT-AND operation is known as NAND operation. If all inputs are 1 then output produced is 0. NAND gate is inverted AND gate.

$$Y = (A.B)'$$

**NOR GATE:** The NOR gate has two or more input signals but only one output signal. IC 7402 is two I/P IC. The NOT- OR operation is known as NOR operation. If all the inputs are 0 then the O/P is 1. NOR gate is inverted OR gate.

$$Y = (A+B)'$$

**EX-OR GATE:** The EX-OR gate can have two or more inputs but produce one output. 7486 is two inputs IC. EX-OR gate is not a basic operation & can be performed using basic gates.

$$Y = A \oplus B$$

### **LOGIC SYMBOL:**

. Logic Symbol of Gates

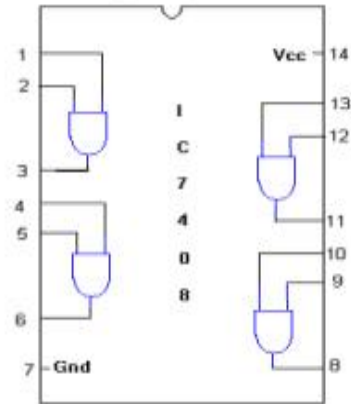
**AND GATE:**



**TRUTH TABLE**

A	B	A.B
0	0	0
0	1	0
1	0	0
1	1	1

**PIN DIAGRAM:**



**OR GATE:**

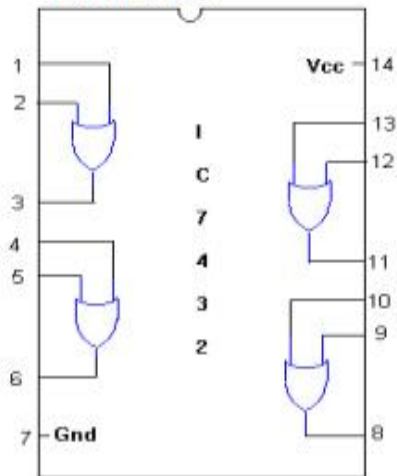
**SYMBOL:**



**TRUTH TABLE**

A	B	A+B
0	0	0
0	1	1
1	0	1
1	1	1

**PIN DIAGRAM:**



**NOT GATE:**

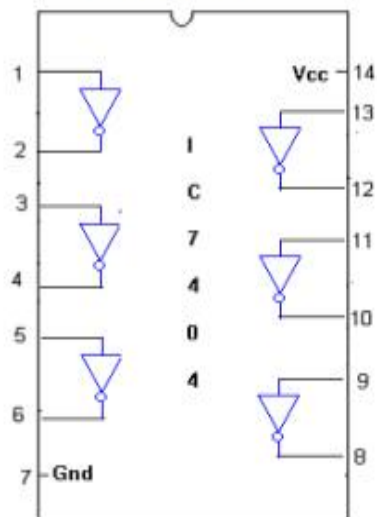
**SYMBOL:**



**TRUTH TABLE :**

A	$\bar{A}$
0	1
1	0

**PIN DIAGRAM:**



**XOR GATE:**

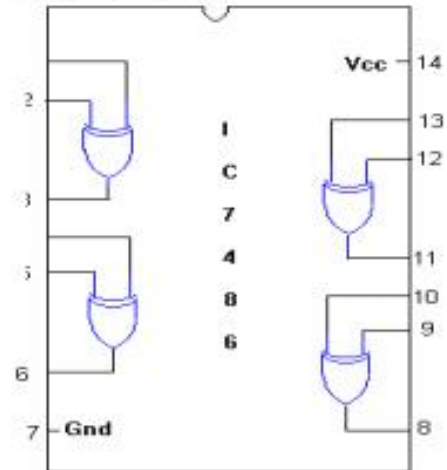
**SYMBOL:**



**TRUTH TABLE :**

A	B	$\overline{A}B + A\overline{B}$
0	0	0
0	1	1
1	0	1
1	1	0

**PIN DIAGRAM:**



**2-INPUT NAND GATE:**

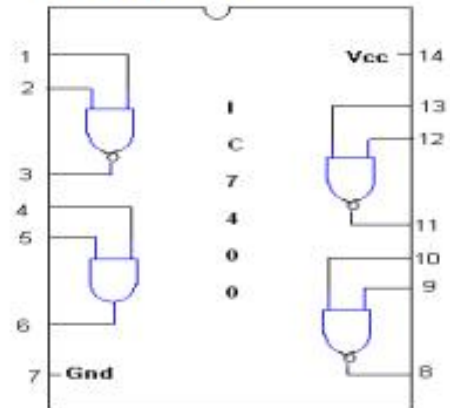
**SYMBOL:**



**TRUTH TABLE**

A	B	$\overline{A \cdot B}$
0	0	1
0	1	1
1	0	1
1	1	0

**PIN DIAGRAM:**



**NOR GATE:**

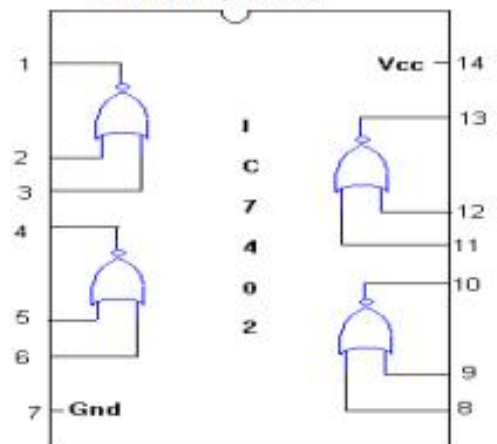
**SYMBOL:**



**TRUTH TABLE**

A	B	$\overline{A+B}$
0	0	1
0	1	1
1	0	1
1	1	0

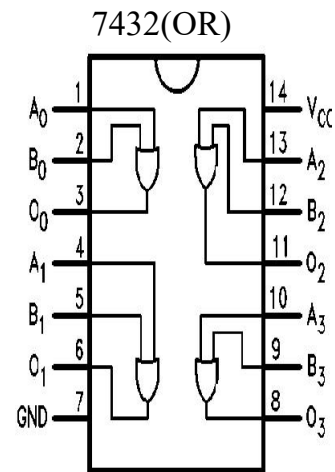
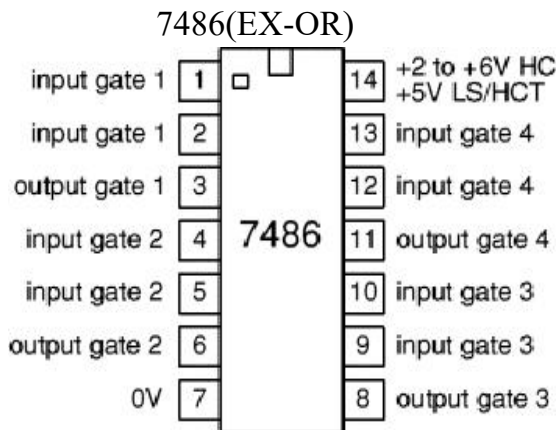
**PIN DIAGRAM:**



# Digital Electronics Lab (KEE-453)

---

## Digital Electronics Lab (KEE-453)



**PROCEDURE:**

- (a) Fix the IC's on breadboard & give the supply.
- (b) Connect the +ve terminal of supply to pin 14 & -ve to pin 7.
- (c) Give input at pin 1, 2 & take output from pin 3. It is same for all except NOT & NOR IC.
- (d) For NOR, pin 1 is output & pin 2&3 are inputs.
- (e) For NOT, pin 1 is input & pin 2 is output.
- (f) Note the values of output for different combination of inputs & draw the TRUTH TABLE.

**OBSERVATION TABLE:**

INPUTS		OUTPUTS					
A	B	A' NOT	A+B OR	(A+B)' NOR	(A*B) AND	(A*B)' NAND	(A+B) Ex-OR
0	0	1	0	1	0	1	0
0	1	1	1	0	0	1	1
1	0	0	1	0	0	1	1
1	1	0	1	0	1	0	0

**RESULT:** We have learnt all the gates ICs according to the IC pin diagram.

**PRECAUTIONS:**

1. Make the connections according to the IC pin diagram.
2. The connections should be tight.
3. The V<sub>cc</sub> and ground should be applied carefully at the specified pin only.



### Quiz Questions with answer.

Q.1 Define gates ?

Ans. Gates are the digital circuits, which perform a specific type of logical operation.

Q.2 Define IC?

Ans. IC means integrated circuit. It is the integration of no. of components on a common substrate.

Q.3 Give example of Demorgan's theorem.

Ans.  $(AB)' = A' + B'$

$(A+B)' = A' . B'$

Q.4  $(A+A) A = ?$

Ans. A.

Q5 Define Universal gates.

Ans. Universal gates are those gates by using which we can design any type of logical expression.

Q6. Write the logical equation for AND gate.

Ans.  $Y = A.B$

Q7 How many no. of input variables can a NOT Gate have? Ans.

One.

Q8. Under what conditions the output of a two input AND gate is one? Ans.

Both the inputs are one.

Q9.  $1+0 = ?$

Ans. 1

Q10. When will the output of a NAND Gate be 0? Ans.

When all the inputs are 1.

## EXPERIMENT NO: 2

**Aim: Implementation of the Given Boolean Function using Logic Gates in Both SOP and POS Forms.**

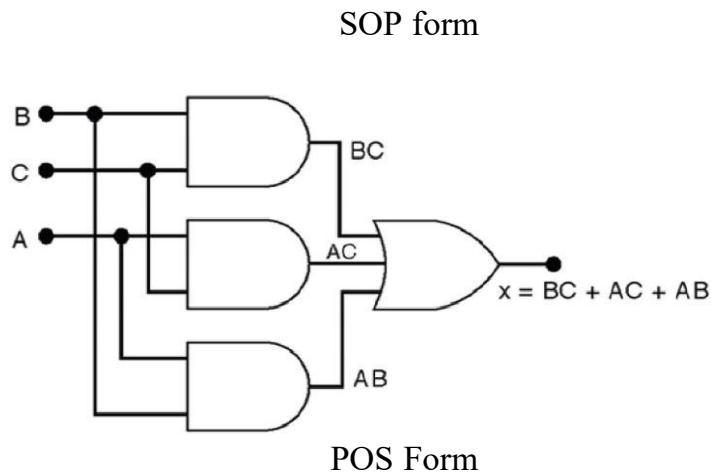
**APPARATUS REQUIRED:** Power Supply, Digital Trainer, IC's (7404, 7408, 7432) Connecting leads.

**BRIEF THEORY:** Karnaugh maps are the most extensively used tool for simplification of Boolean functions. It is mostly used for functions having up to six variables beyond which it becomes very cumbersome. In an n-variable K-map there are  $2^n$  cells. Each cell corresponds to one of the combination of n variable, since there are  $2^n$  combinations of n-variables. Gray code has been used for the identification of cells.

Example-  $f(A, B, C, D) = A'BC + AB'C + ABC' + ABC$  (SOP)

Reduced form is  $BC + AC + AB$  and POS form is  $f(X, Y, Z) = Y' (X' + Y + Z') (X + Z)$

### LOGIC DIAGRAM



### PROCEDURE:

- (a) With given equation in SOP/POS forms first of all draw a K-map.
- (b) Enter the values of the O/P variable in each cell corresponding to its Min/Max term.
- (c) Make group of adjacent ones.
- (d) From group write the minimized equation.
- (e) Design the ckt. of minimized equation & verify the truth table.

**RESULT/CONCLUSION:** Implementation of SOP and POS form is obtained with AND and OR gates.

### PRECAUTIONS:

- 1) Make the connections according to the IC pin diagram.
- 2) The connections should be tight.
- 3) The  $V_{cc}$  and ground should be applied carefully at the specified pin only.

### Quiz Questions with answer.

Q.1 Define K-map ?

Ans. It is a method of simplifying Boolean Functions in a systematic mathematical way.

Q.2 Define SOP ?

Ans. Sum of Product.

Q.3 Define POS ?

Ans. Product of Sum.

Q.4 What are combinational circuits?

Ans. These are those circuits whose output depends upon the inputs present at that instant of time.

Q.5 What are sequential circuits?

Ans. These are those circuits whose output depends upon the input present at that time as well as the previous output.

Q.6 If there are four variables how many cells the K-map will have?

Ans. 16.

Q.7 When two min-terms can be adjacent?

Ans. 2 to the power n.

Q.8 Which code is used for the identification of cells?

Ans. Gray Code.

Q.9 Define Byte?

Ans. Byte is a combination of 8 bits.

Q.10 When simplified with Boolean Algebra  $(x + y)(x + z)$  simplifies to

Ans.  $x + yz$

## EXPERIMENT NO: 3

**Aim: Verification of State Tables of Rs, J-k, T and D Flip-Flops using NAND & NOR Gates**

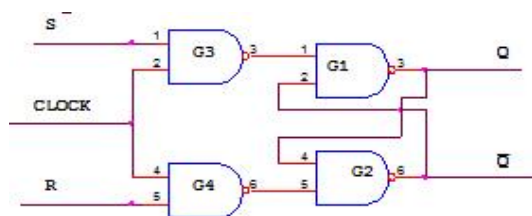
**APPARATUS REQUIRED:** IC' S 7400, 7402 Digital Trainer & Connecting leads.

**BRIEF THEORY:**

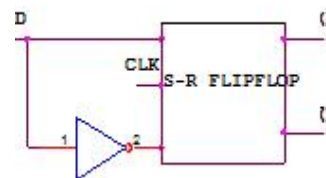
- **RS FLIP-FLOP:** There are two inputs to the flip-flop defined as R and S. When I/Ps  $R = 0$  and  $S = 0$  then O/P remains unchanged. When I/Ps  $R = 0$  and  $S = 1$  the flip-flop is switches to the stable state where O/P is 1 i.e. SET. The I/P condition is  $R = 1$  and  $S = 0$  the flip-flop is switched to the stable state where O/P is 0 i.e. RESET. The I/P condition is  $R = 1$  and  $S = 1$  the flip-flop is switched to the stable state where O/P is forbidden.
- **JK FLIP-FLOP:** For purpose of counting, the JK flip-flop is the ideal element to use. The variable J and K are called control I/Ps because they determine what the flip- flop does when a positive edge arrives. When J and K are both 0s, both AND gates are disabled and Q retains its last value.
- **D FLIP –FLOP:** This kind of flip flop prevents the value of D from reaching the Q output until clock pulses occur. When the clock is low, both AND gates are disabled D can change value without affecting the value of Q. On the other hand, when the clock is high, both AND gates are enabled. In this case, Q is forced to equal the value of D. When the clock again goes low, Q retains or stores the last value of D. a D flip flop is a bistable circuit whose D input is transferred to the output after a clock pulse is received.
- **T FLIP-FLOP:** The T or "toggle" flip-flop changes its output on each clock edge, giving an output which is half the frequency of the signal to the T input. It is useful for constructing binary counters, frequency dividers, and general binary addition devices. It can be made from a J-K flip-flop by tying both of its inputs high.

**CIRCUIT DIAGRAM:**

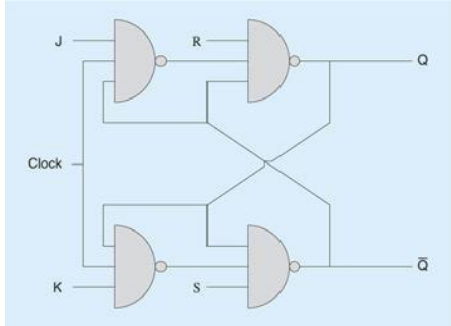
SR Flip Flop



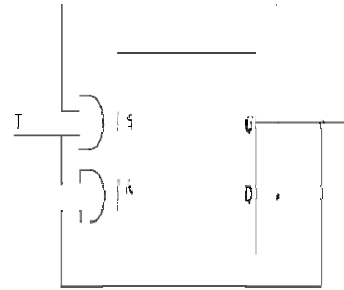
D Flip Flop



## JK Flip Flop



## T Flip Flop



### PROCEDURE:

1. Connect the circuit as shown in figure.
2. Apply Vcc & ground signal to every IC.
3. Observe the input & output according to the truth table.

### TRUTH TABLE:

#### SR FLIP FLOP:

CLOCK	S	R	$Q_{n+1}$
1	0	0	NO CHANGE
1	0	1	0
1	1	0	1
1	1	1	?

#### D FLIPFLOP:

INPUT	OUTPUT
0	0
1	1

#### JK FLIPFLOP

CLOCK	S	R	$Q_{n+1}$
1	0	0	NO CHANGE
1	0	1	0
1	1	0	1
1	1	1	$Q_n'$

#### T FLIPFLOP

CLOCK	S	R	$Q_{n+1}$
1	0	1	NO CHANGE
1	1	0	$Q_n'$

## Digital Electronics Lab (KEE-453)

---

**RESULT:** Truth table is verified on digital trainer.

**PRECAUTIONS:**

- 1) Make the connections according to the IC pin diagram.
- 2) The connections should be tight.
- 3) The  $V_{cc}$  and ground should be applied carefully at the specified pin only.

**Quiz Questions with answer.**

Q 1. Flip flop is Astable or Bistable?

Ans. Bistable.

Q2. What are the I/Ps of JK flip-flop where this race round condition occurs?

Ans. Both the inputs are 1.

Q3. When RS flip-flop is said to be in a SET state?

Ans. When the output is 1.

Q4. When RS flip-flop is said to be in a RESET state?

Ans. When the output is 0.

Q5. What is the truth table of JK flip-flop?

J	K	$Q_{n+1}$
0	0	$Q_n$
0	1	0
1	0	1
1	1	$Q_n$

Q6. What is the function of clock signal in flip-flop?

Ans. To get the output at known time.

Q7. What is the advantage of JK flip-flop over RS flip-flop?

Ans. In RS flip-flop when both the inputs are 1 output is undetermined.

Q8. In D flip-flop I/P = 0 what is O/P?

Ans. 0

Q9. In D flip-flop I/P = 1 what is O/P?

Ans. 1

Q10. In T flip-flop I/P = 1 what is O/P? Ans.

$Q_n$

## **EXPERIMENT NO: 4**

**Aim:- Implementation and Verification of Decoder/De-Multiplexer and Encoder using Logic Gates.**

**APPARATUS REQUIRED:** IC 7447, 7-segment display, IC 74139 and connecting leads.

### **BRIEF THEORY:**

**ENCODER:** An encoder is a device, circuit, transducer, software program, algorithm or person that converts information from one format or code to another, for the purposes of standardization, speed, secrecy, security, or saving space by shrinking size. An encoder has M input and N output lines. Out of M input lines only one is activated at a time and produces equivalent code on output N lines. If a device output code has fewer bits than the input code has, the device is usually called an encoder. For example Octal-to-Binary Encoder take 8 inputs and provides 3 outputs, thus doing the opposite of what the 3-to-8 decoder does. At any one time, only one input line has a value of 1. The figure below shows the truth table of an Octal-to-binary encoder.

For an 8-to-3 binary encoder with inputs I<sub>0</sub>-I<sub>7</sub> the logic expressions of the outputs Y<sub>0</sub>-Y<sub>2</sub> are:

$$Y_0 = I_1 + I_3 + I_5 + I_7$$

$$Y_1 = I_2 + I_3 + I_6 + I_7$$

$$Y_2 = I_4 + I_5 + I_6 + I_7$$

**DECODER:** A decoder is a device which does the reverse operation of an encoder, undoing the encoding so that the original information can be retrieved. The same method used to encode is usually just reversed in order to decode. It is a combinational circuit that converts binary information from n input lines to a maximum of 2<sup>n</sup> unique output lines. In digital electronics, a decoder can take the form of a multiple-input, multiple-output logic circuit that converts coded inputs into coded outputs, where the input and output codes are different. e.g. n-to-2<sup>n</sup>, binary-coded decimal decoders. Enable inputs must be on for the decoder to function, otherwise its outputs assume a single "disabled" output code word. In case of decoding all combinations of three bits eight (2<sup>3</sup>=8) decoding gates are required. This type of decoder is called 3-8 decoder because 3 inputs and 8 outputs. For any input combination decoder outputs are 1.

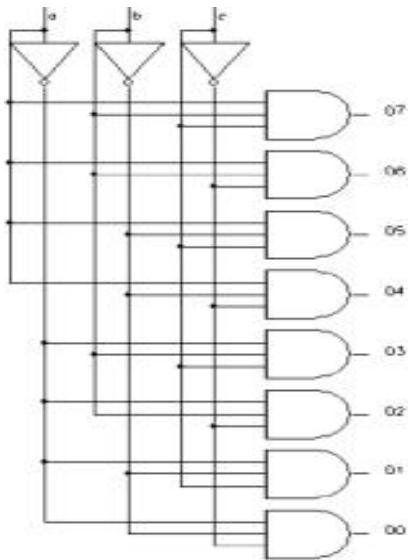
**DEMULTIPLEXER:** Demultiplexer means generally one into many. A demultiplexer is a logic circuit with one input and many outputs. By applying control signals, we can steer the input signal to one of the output lines. The ckt. has one input signal, m control

# Digital Electronics Lab (KEE-453)

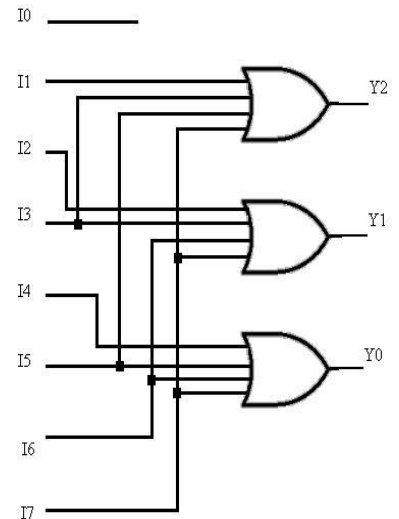
signal and  $n$  output signals. Where  $2^n = m$ . It functions as an electronic switch to route an incoming data signal to one of several outputs.

## LOGIC DIAGRAM:

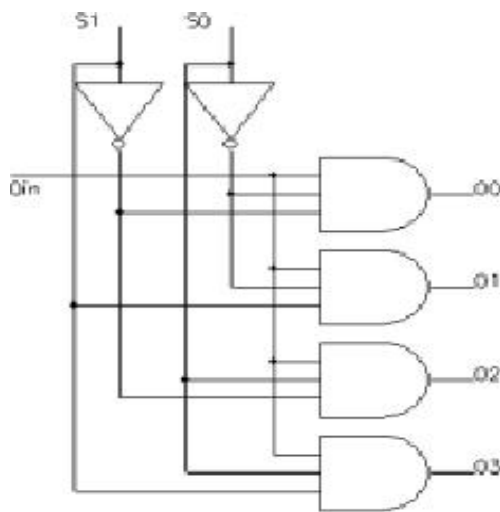
3:8 Decoder



Octal to Binary Encoder



1:4 Demux



## PROCEDURE:

- 1) Connect the circuit as shown in figure.
- 2) Apply  $V_{cc}$  & ground signal to every IC.
- 3) Observe the input & output according to the truth table.

## OBSERVATION TABLE:



Truth table for Decoder

Inputs			Outputs							
a	b	C	D <sub>0</sub>	D <sub>1</sub>	D <sub>2</sub>	D <sub>3</sub>	D <sub>4</sub>	D <sub>5</sub>	D <sub>6</sub>	D <sub>7</sub>
0	0	0	1	0	0	0	0	0	0	0
0	0	1	0	1	0	0	0	0	0	0
0	1	0	0	0	1	0	0	0	0	0
0	1	1	0	0	0	1	0	0	0	0
1	0	0	0	0	0	0	1	0	0	0
1	0	1	0	0	0	0	0	1	0	0
1	1	0	0	0	0	0	0	0	1	0
1	1	1	0	0	0	0	0	0	0	1
Output function			$\bar{a}\bar{b}\bar{c}$	$\bar{a}\bar{b}c$	$\bar{a}b\bar{c}$	$\bar{a}bc$	$a\bar{b}\bar{c}$	$a\bar{b}c$	$ab\bar{c}$	$abc$

Truth table for Encoder

I <sub>0</sub>	I <sub>1</sub>	I <sub>2</sub>	I <sub>3</sub>	I <sub>4</sub>	I <sub>5</sub>	I <sub>6</sub>	I <sub>7</sub>	Y <sub>2</sub>	Y <sub>1</sub>	Y <sub>0</sub>
1	0	0	0	0	0	0	0	0	0	0
0	1	0	0	0	0	0	0	0	0	1
0	0	1	0	0	0	0	0	0	1	0
0	0	0	1	0	0	0	0	0	1	1
0	0	0	0	1	0	0	0	1	0	0
0	0	0	0	0	1	0	0	1	0	1
0	0	0	0	0	0	1	0	1	1	0
0	0	0	0	0	0	0	1	1	1	1

Truth table for Demux

Output select Lines		Output selected
S <sub>1</sub>	S <sub>0</sub>	
0	0	O <sub>0</sub>
0	1	O <sub>1</sub>
1	0	O <sub>2</sub>
1	1	O <sub>3</sub>

**RESULT:** Encoder/ decoder and demultiplexer have been studied and verified.

**PRECAUTIONS:**

- 1) Make the connections according to the IC pin diagram.
- 2) The connections should be tight.
- 3) The V<sub>cc</sub> and ground should be applied carefully at the specified pin only.

**Quiz Questions with answer.**

Q. 1 What do you understand by decoder?

Ans. A decoder is a combinational circuit that converts binary information from n input lines to a maximum of 2<sup>n</sup> unique output lines. Most IC decoders include one or more enable inputs to control the circuit operation.

Q. 2 What is demultiplexer?

Ans. The demultiplexer is the inverse of the multiplexer, in that it takes a single data input and n address inputs. It has 2<sup>n</sup> outputs. The address input determine which data

## Digital Electronics Lab (KEE-453)

---

---

output is going to have the same value as the data input. The other data outputs will have the value 0.

Q. 3 What do you understand by encoder?

Ans. An encoder or multiplexer is therefore a digital IC that outputs a digital code based on which of its several digital inputs is enabled.

Q. 4 What is the main difference between decoder and demultiplexer?

Ans. In decoder we have n input lines as in demultiplexer we have n select lines.

Q. 5 Why Binary is different from Gray code?

Ans. Gray code has a unique property that any two adjacent gray codes differ by only a single bit.

Q. 6 Write down the method of Binary to Gray conversion.

Ans. Using the Ex-Or gates.

Q. 7 Convert 0101 to Decimal.

Ans. 5

Q. 8 Write the full form of ASCII Codes?

Ans. American Standard Code for Information Interchange.

Q.9. If a register containing 0.110011 is logically added to register containing 0.101010 what would be the result?

Ans.111011

Q10.Binary code is a weighted code or not?

Ans. Yes

## EXPERIMENT NO : 5

**Aim: Implementation of 4x1 Multiplexer using Logic Gates.**

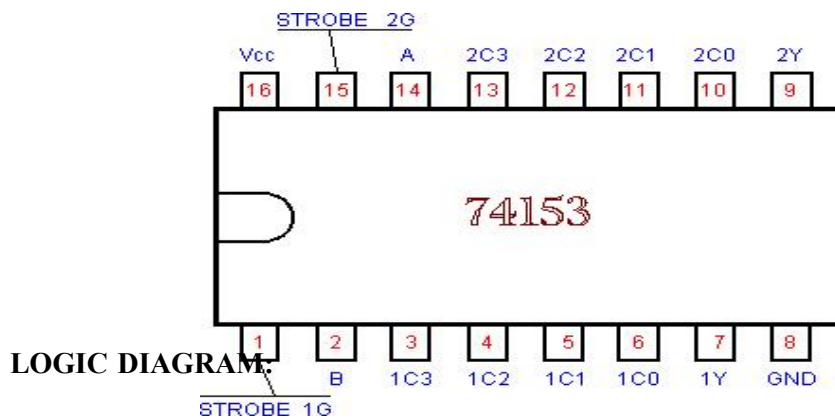
**APPARATUS REQUIRED:** Power Supply, Digital Trainer, Connecting Leads, IC's 74153(4x1 multiplexer).

**BRIEF THEORY:**

**MULTIPLEXER:** Multiplexer generally means many into one. A multiplexer is a circuit with many Inputs but only one output. By applying control signals we can steer any input to the output. The fig. (1) Shows the general idea. The ckt. has n-input signal, control signal & one output signal. Where  $2^n = m$ . One of the popular multiplexer is the 16 to 1 multiplexer, which has 16 input bits, 4 control bits & 1 output bit.

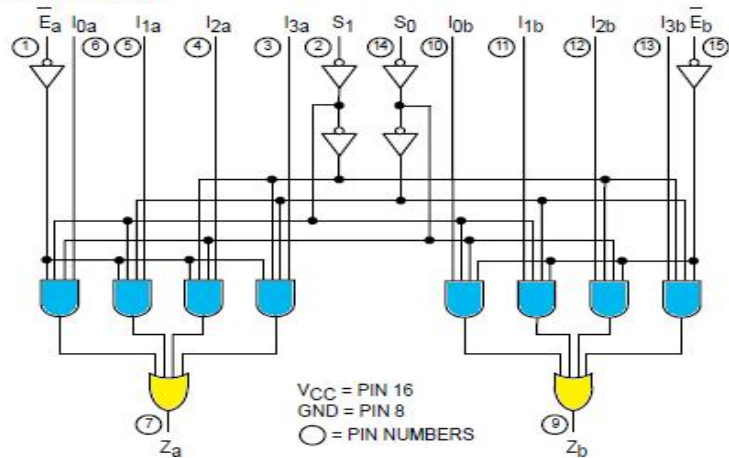
**PIN CONFIGURATION;-**

IC 74153 (4x1 multiplexer)



# Digital Electronics Lab (KEE-453)

**LOGIC DIAGRAM**



**PROCEDURE:**

1. Fix the IC's on the bread board & give the input supply.
2. Make connection according to the circuit.
3. Give select signal and strobe signal at respective pins.
4. Connect +5 v Vcc supply at pin no 24 & GND at pin no 12.
5. Verify the truth table for various inputs.

**OBSERVATION TABLE:**

Truth Table of multiplexer (4x1) IC 74153

INPUT							OUTPUT
A	B	C0	C1	C2	C3	G	Y
X	X	X	X	X	X	1	0
0	0	0	X	X	X	0	0
0	0	1	X	X	X	0	1
0	1	X	0	X	X	0	0
0	1	X	1	X	X	0	1
1	0	X	X	0	X	0	0
1	0	X	X	1	X	0	1
1	1	X	X	X	0	0	0
1	1	X	X	X	1	0	1

**RESULT:** Verify the truth table of multiplexer for various inputs.

**PRECAUTIONS:**

- 1) Make the connections according to the IC pin diagram.

- 2) The connections should be tight.
- 3) The  $V_{cc}$  and ground should be applied carefully at the specified pin only.

### Quiz Questions with answer.

- Q.1 Why is MUX called as “Data Selector”?  
Ans. This selects one out of many inputs.
- Q.2 What do you mean by Multiplexing?  
Ans. Multiplexing means selecting only a single input out of many inputs.
- Q.3 What is Digital Multiplexer?  
Ans. The multiplexer which acts on digital data.
- Q.4 What is the function of Enable input to any IC?  
Ans. When this enable signal is activated.
- Q.5 What is demultiplexer?  
Ans. A demultiplexer transmits the data from a single source to various sources.
- Q.6 Can a decoder function as a D’MUX?  
Ans. Yes
- Q.7 What is the role of select lines in a Demultiplexer?  
Ans. Select line selects the output line.
- Q.8 Differentiate between functions of MUX & D’MUX?  
Ans. Multiplexer has only single output but demultiplexer has many outputs.
- Q.9 The number of control lines required for a 1:8 demultiplexer will be  
Ans. 3
- Q.10 How many 4:1 multiplexers will be required to design 8:1 multiplexer?  
Ans. 2

## EXPERIMENT NO - 6

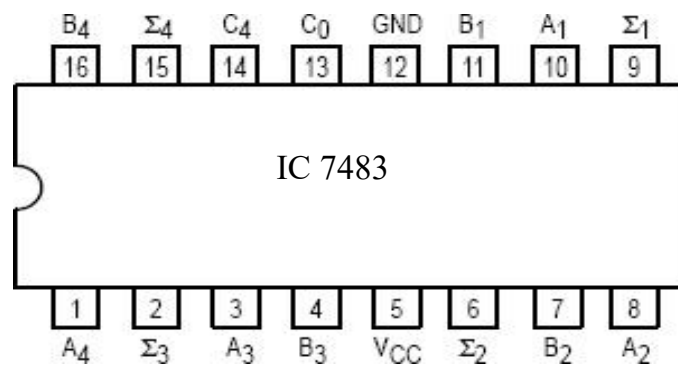
**Aim – Implementation of 4-Bit Parallel Adder Using 7483 Ic.**

**APPARATUS REQUIRED** – Digital trainer kit, IC 7483 (4-bit parallel adder).

**BRIEF THEOR** - A 4-bit adder is a circuit which adds two 4-bits numbers, say, A and B. In addition, a 4-bit adder will have another single-bit input which is added to the two numbers called the carry-in ( $C_{in}$ ). The output of the 4-bit adder is a 4-bit sum (S) and a carry-out ( $C_{out}$ ) bit.

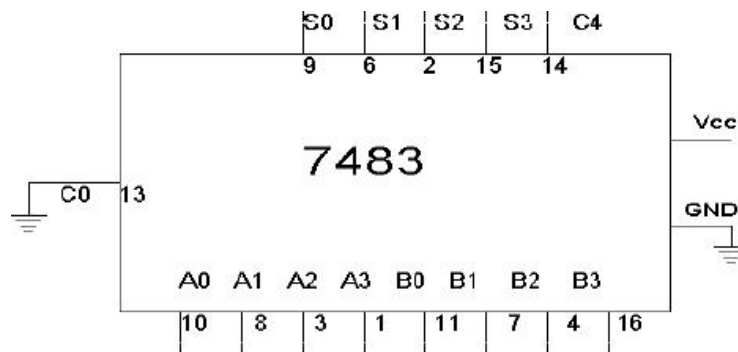
**PIN CONFIGURATION–**

Pin Diagram of IC 7483



**LOGIC DIAGRAM:-**

7483 4-bit Parallel Adder



**OBSERVATION TABLE –**

## Digital Electronics Lab (KEE-453)

Truth table of 4-bit parallel adder

A3	A2	A1	A0	B3	B2	B1	B0	C4 (V)	S3(V)	S2(V)	S1(V)	S0(V)
0	0	0	1	0	0	1	0	0	0	0	1	1
0	1	0	1	1	0	1	1	1	1	0	0	0
1	0	1	0	1	0	1	0	1	0	1	0	0
1	1	1	1	1	1	1	1	1	1	1	1	0
0	1	1	1	0	0	1	1	0	1	0	1	0

### PROCEDURE –

- Make the connections as per the logic diagram.
- Connect +5v and ground according to pin configuration.
- Apply diff combinations of inputs to the i/p terminals.
- Note o/p for summation.
- Verify the truth table.

**RESULT-** Binary 4-bit full adder is studied and verified.

### PRECAUTIONS:

- Make the connections according to the IC pin diagram.
- The connections should be tight.
- The  $V_{cc}$  and ground should be applied carefully at the specified pin only.

### Quiz Questions with answer.

Q 1 What do you understand by parallel adder?

Ans. If we place full adders in parallel, we can add two- or four-digit numbers or any other size desired i.e. known as parallel adder.

Q2 What happens when an  $N$ -bit adder adds two numbers whose sum is greater than or equal to  $2^N$

Ans. Overflow.

Q3 Is Excess-3 code is weighted code or not?

Ans. Excess-3 is not a weighted code.

Q4 What is IC no. of parallel adder?

Ans. IC 7483.

Q5 What is the difference between Excess-3 & Natural BCD code?

Ans. Natural BCD code is weighted code but Excess-3 code is not weighted code.

Q6. What is the Excess-3 code for  $(396)_{10}$

Ans.  $(396)_{10} = (011011001001)_{EX-3}$

Q7 Can we obtain 1's complement using parallel adder? Ans.

Yes

Q8 Can we obtain 2's complement using parallel adder? Ans.

yes

Q9 How many bits can be added using IC7483 parallel adder?

Ans. 4 bits.

Q10 Can you obtain subtractor using parallel adder?

Ans. Yes

## EXPERIMENT NO :7

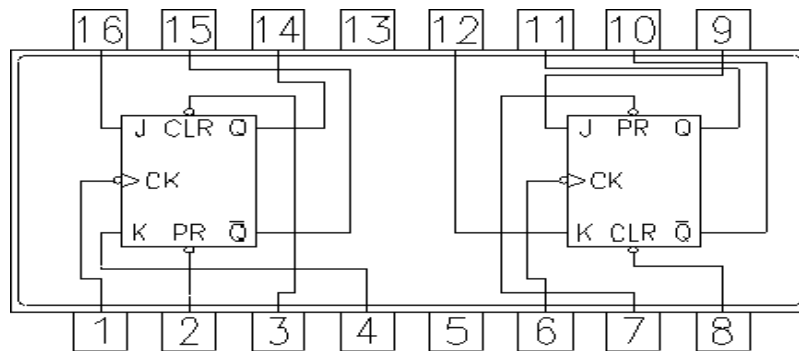
**Aim:** – Design, and Verify the 4-Bit Synchronous Counter

**APPARATUS REQUIRED:** Digital trainer kit and 4 JK flip flop each IC 7476 (i.e dual JK flip flop) and two AND gates IC 7408.

**BRIEF THEORY:** Counter is a circuit which cycle through state sequence. Two types of counter, Synchronous counter (e.g. parallel) and Asynchronous counter (e.g. ripple). In Ripple counter same flip-flop output to be used as clock signal source for other flip-flop. Synchronous counter use the same clock signal for all flip-flop.

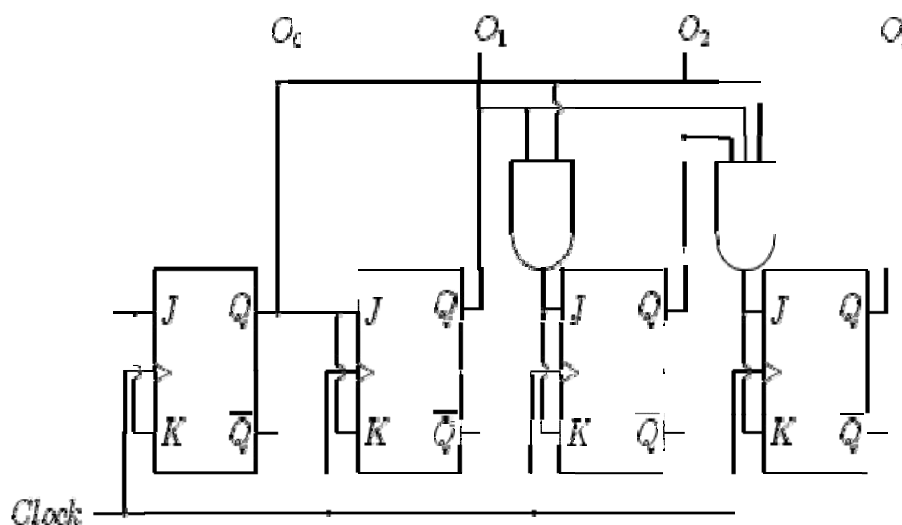
**PIN CONFIGURATION:**

Dual JK Master Slave Flip Flop with clear & preset



**LOGIC DIAGRAM:**

4-Bit Synchronous counter





## Digital Electronics Lab (KEE-453)

---

Pin Number	Description
1	Clock 1 Input
2	Preset 1 Input
3	Clear 1 Input
4	J1 Input
5	Vcc
6	Clock 2 Input
7	Preset 2 Input
8	Clear 2 Input
9	J2 Input
10	Complement Q2 Output
11	Q2 Output
12	K2 Input
13	Ground
14	Complement Q1 Output
15	Q1 Output
16	K1 Input

### OBSERVATION TABLE:

Truth Table

States				Count
0 <sub>4</sub>	0 <sub>3</sub>	0 <sub>2</sub>	0 <sub>1</sub>	
0	0	0	0	0
0	0	0	1	1
0	0	1	0	2
0	0	1	1	3
0	1	0	0	4
0	1	0	1	5
0	1	1	0	6

## Digital Electronics Lab (KEE-453)

---

0	1	1	1	7
1	0	0	0	8
1	0	0	1	9
1	0	1	0	10
1	0	1	1	11
1	1	0	0	12
1	1	0	1	13
1	1	1	0	14
1	1	1	1	15

### PROCEDURE:

- Make the connections as per the logic diagram.
- Connect +5v and ground according to pin configuration.
- Apply diff combinations of inputs to the i/p terminals.
- Note o/p for summation.
- Verify the truth table.

**RESULT:** 4-bit synchronous counter studied and verified.

### PRECAUTIONS:

- Make the connections according to the IC pin diagram.
- The connections should be tight.
- The  $V_{cc}$  and ground should be applied carefully at the specified pin only.

### Quiz Questions with answer.

Q.1 What do you understand by counter?

Ans. Counter is a register which counts the sequence in binary form.

Q.2 What is asynchronous counter?

Ans. Clock input is applied to LSB FF. The output of first FF is connected as clock to next FF.

Q.3 What is synchronous counter?

Ans. Where Clock input is common to all FF.

Q.4 Which flip flop is used in asynchronous counter?

Ans. All Flip-Flops are toggling FF.

Q.5 Which flip flop is used in synchronous counter?

Ans. Any FF can be used.

Q.6 What do you understand by modulus?

Ans. The total no. of states in counter is called as modulus. If counter is modulus-n, then it has n different states.

Q.7 What do you understand by state diagram?

Ans. State diagram of counter is a pictorial representation of counter states directed by arrows in graph.

Q.8 What do you understand by up/down counter?

Ans. Up/Down Synchronous Counter: two way counter which able to count up or down.

Q.9 Why Asynchronous counter is known as ripple counter?

Ans. Asynchronous Counter: flip-flop doesn't change condition simultaneously because it doesn't use single clock signal Also known as ripple counter because clock signal input as ripple through counter.

Q.10 which type of counter is used in traffic signal?

Ans. Down counters.

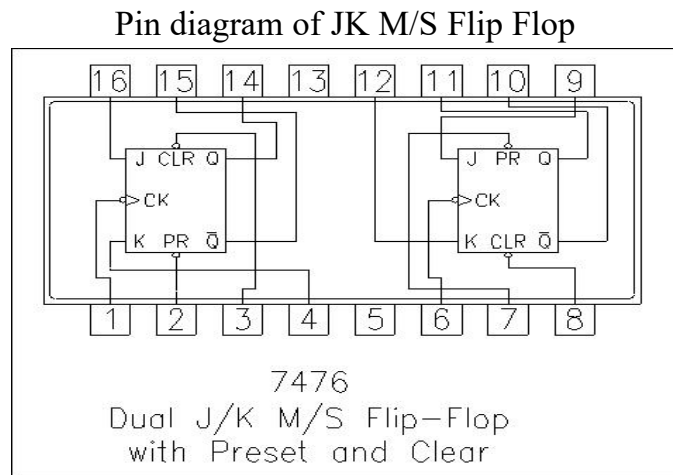
## **EXPERIMENT NO: 8**

**Aim: – Design, and Verify the 4-Bit Asynchronous Counter.**

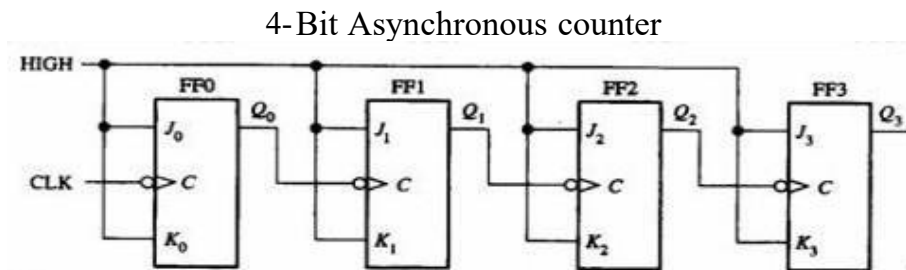
**APPARATUS REQUIRED:** Digital trainer kit and 4 JK flip flop each IC 7476 (i.e dual JK flip flop) and two AND gates IC 7408.

**BRIEF THEORY:** Counter is a circuit which cycle through state sequence. Two types of counter, Synchronous counter (e.g. parallel) and Asynchronous counter (e.g. ripple). In Ripple counter same flip-flop output to be used as clock signal source for other flip-flop. Synchronous counter use the same clock signal for all flip-flop.

**PIN CONFIGURATION:**



**LOGIC DIAGRAM:**



## Digital Electronics Lab (KEE-453)

Pin Number	Description
1	Clock 1 Input
2	Preset 1 Input
3	Clear 1 Input
4	J1 Input
5	V <sub>cc</sub>
6	Clock 2 Input
7	Preset 2 Input
8	Clear 2 Input
9	J2 Input
10	Complement Q2 Output
11	Q2 Output
12	K2 Input
13	Ground
14	Complement Q1 Output
15	Q1 Output
16	K1 Input

### PROCEDURE:

- Make the connections as per the logic diagram.
- Connect +5v and ground according to pin configuration.
- Apply diff combinations of inputs to the i/p terminals.
- Note o/p for summation.
- Verify the truth table.

**RESULT:** 4-bit asynchronous counter studied and verified.

### PRECAUTIONS:

- Make the connections according to the IC pin diagram.
- The connections should be tight.
- The V<sub>cc</sub> and ground should be applied carefully at the specified pin only.

### Quiz Questions with answer.

Q.1 How many flip-flops are required to make a MOD-32 binary counter?

Ans. 5.

Q.2 The terminal count of a modulus-11 binary counter is\_\_\_\_\_.

Ans.1010.

Q.3 Synchronous counters eliminate the delay problems encountered with asynchronous counters because the:

Ans. Input clock pulses are applied simultaneously to each stage.

## Digital Electronics Lab (KEE-453)

---

Q4. Synchronous construction reduces the delay time of a counter to the delay of:

Ans. a single flip-flop and a gate.

Q5. What is the difference between a 7490 and a 7492?

Ans. 7490 is a MOD-10, 7492 is a MOD-12.

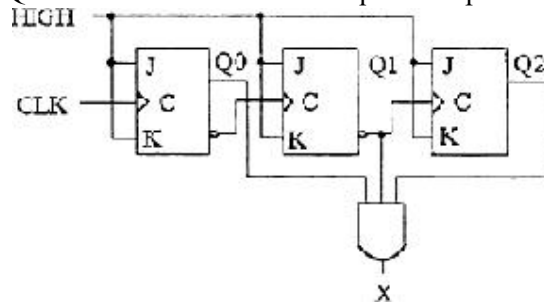
Q6. When two counters are cascaded, the overall MOD number is equal to the \_\_\_\_\_ of their individual MOD numbers.

Ans. Product.

Q7. A BCD counter is a \_\_\_\_\_.

Ans. decade counter.

Q8. What decimal value is required to produce an output at "X" ?



Ans. 5.

Q9. How many AND gates would be required to completely decode ALL the states of a MOD-64 counter, and how many inputs must each AND gate have?

Ans. 64 gates, 6 inputs to each gate.

Q.10 A ring counter consisting of five Flip-Flops will have

Ans. 5 states.

## EXPERIMENT NO: 9

**Aim:-** To Design & Verify Operation of Half Adder & Full Adder.

**APPARATUS REQUIRED:** Power supply, IC's, Digital Trainer, Connecting leads.

**BRIEF THEORY:** We are familiar with ALU, which performs all arithmetic and logic operation but ALU doesn't perform/ process decimal no's. They process binary no's.

**Half Adder:** It is a logic circuit that adds two bits. It produces the O/P, sum & carry. The Boolean equation for sum & carry are:

$$\begin{aligned} \text{SUM} &= A + B \\ \text{CARRY} &= A \cdot B \end{aligned}$$

Therefore, sum produces 1 when A&B are different and carry is 1 when A&B are 1. Application of Half adder is limited.

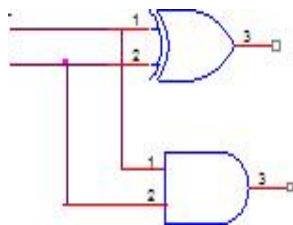
**Full Adder:** It is a logic circuit that can add three bits. It produces two O/P sum & carry. The Boolean Equation for sum & carry are:

$$\begin{aligned} \text{SUM} &= A + B + C \\ \text{CARRY} &= A \cdot B + (A+B) \cdot C \end{aligned}$$

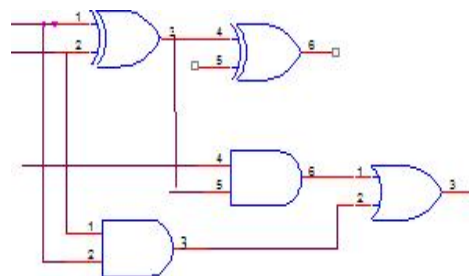
Therefore, sum produces one when I/P is containing odd no's of one & carry is one when there are two or more one in I/P.

### LOGIC DAIGRAM:

Half Adder



Full Adder



### PROCEDURE:

- Connect the ckt. as shown in fig. For half adder.
- Apply diff. Combination of inputs to the I/P terminal.
- Note O/P for Half adder.
- Repeat procedure for Full wave.
- The result should be in accordance with truth table.

### OBSERVATION TABLE:

### HALF ADDER:

## Digital Electronics Lab (KEE-453)

INPUTS		OUTPUT	
A	B	S	C
0	0	0	0
0	1	1	0
1	0	1	0
1	1	0	1

### FULL ADDER:

INPUTS			OUTPUTS	
A	B	C	S	CARRY
0	0	0	0	0
0	0	1	1	0
0	1	0	1	0
0	1	1	0	1
1	0	0	1	0
1	0	1	0	1
1	1	0	0	1
1	1	1	1	1

**RESULT:** The Half Adder & Full Adder ckts. are verified.

### PRECAUTIONS:

- 1) Make the connections according to the IC pin diagram.
- 2) The connections should be tight.
- 3) The  $V_{cc}$  and ground should be applied carefully at the specified pin only.

### Quiz Questions with answer.

Q.1 Give the basic rules for binary addition?

Ans.  $0+0 = 0$ ;  $0+1 = 1$ ;  $1+1 = 10$ ;  $1+0 = 1$ .

Q.2 Specify the no. of I/P and O/P of Half adder?

Ans2. Two inputs & one output.

Q.3 What is the drawback of half adder?

Ans. We can't add carry bit from previous stage.

Q.4 Write the equation for sum & carry of half adder?

Ans. Sum = A XOR B; carry = A.B.

Q.5 Write the equation for sum & carry of full adder?

Ans. SUM=  $A'B'C+A'BC'+AB'C'+ABC$ ; CARRY= $AB+BC+AC$ .

Q.6 How many half adders will be required for Implementing full adder?

Ans. Two half adders and a OR gate.

Q7 Define Bit?

Ans. Bit is an abbreviation for binary digit.

Q8.What is the difference b/w half adder& half sub tractor?

Ans. Half adder can add two bits & half sub tractor can subtract two bits.

Q9. Half subtractor logic circuit has one extra logic element. Name the element?

Ans. Inverter.

Q10. Define Nibble?

Ans. Combination of four bits.



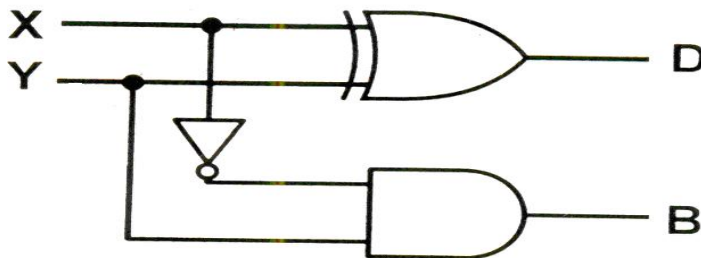
## **EXPERIMENT NO :10**

**Aim:-** To Study & Verify Half Subtractor.

**APPARATUS REQUIRED:** Digital trainer kit,  
IC 7486 (EX-OR)  
IC 7408 (AND gate)  
IC 7404 (NOT gate)

**BRIEF THEORY:** A logic circuit for the subtraction of B(subtrahend) from A (minuend) where A & B are 1 bit numbers is referred as half- sub tractor.

**LOGIC DIAGRAM :**



**TRUTH TABLE:**

INPUT 1 (X)	INPUT 2 (Y)	BORROW (B)	DIFFERENCE (D)
0	0	0	0
0	1	1	1
1	0	0	1
1	1	0	0

**PROCEDURE:**

1. Make the connections as per the logic diagram.
2. Connect +5v to pin 14 & ground to pin 7.
3. Apply 0 to input X & Y as per the truth table.
4. Switch on the instrument.
5. Observe the reading on 8 bits LED display.
6. Repeat steps 3 & 5 for different input as per truth table.
7. Verify the truth table.

**RESULT:** Half sub tractor circuit is studied and verified.

### Quiz Questions with answer.

Q.1 What is half subtractor?

Ans. Performs subtraction of two bits.

Q.2 For implementing half subtractor how many EX-OR, AND gates and Not gates are required?

Ans. One EX-OR, one AND gate, one Not gate.

Q.3 What are the logical equations for difference & borrow?

Ans.  $D = \bar{A}B + A\bar{B}$

$B = \bar{A}.B$

Q.4 How full subtractor is different from half subtractor.

Ans. Full subtractor performs subtraction of three bits but half subtractor performs subtraction of two bits.

Q.5 If inputs of half subtractor are  $A=0$ , and  $B=1$  then Borrow will be? Ans.

$B=1$

Q.6 Is 2's complement method appropriate for subtraction?

Ans. 2's complement method is appropriate method for subtraction.

Q.7 How many bits we use in half subtractor for subtraction?

Ans. only two bits.

Q.8 Can we use parallel adder for subtraction?

Ans. We can use parallel adder using 2's complement method.

Q.9 Which one is better subtractor or parallel adder for subtraction?

Ans. Parallel adder is the best option using 1's complement or 2's complement

Q.10 Which adder is used for addition of BCD numbers?

Ans. BCD adder.

## EXPERIMENT NO: 11

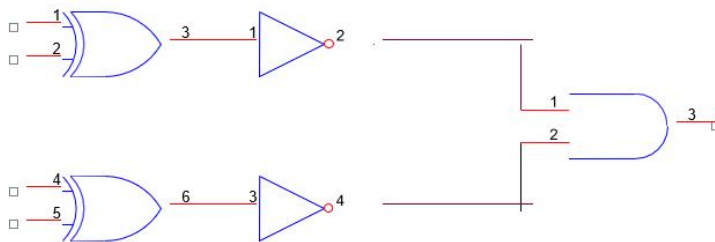
**Aim:** - To Design & Verify the Operation of Magnitude Comparator

**APPARATUS REQUIRED:** Power Supply, Digital Trainer Kit., Connecting Leads, and IC's (7404, 7408, and 7486).

**BRIEF THEORY:** Comparator compares the value of signal at the input. It can be designed to compare many bits. The adjoining figure shows the block diagram of comparator. Here it receives two 2-bit numbers at the input & the comparison is at the output.

**CIRCUIT DIAGRAM:**

Comparator



**PROCEDURE:**

- Make the connections according to the circuit diagram.
- The output is high if both the inputs are equal.
- Verify the truth table for different values.

**OBSERVATION TABLE:**

P	Q	P	Q	LOW IF P IS NOT EQUAL TO Q	HIGH IF Q IS EQUAL TO Q
0	0	1	1		
0	0	0	0		HIGH
1	1	0	0		HIGH
0	1	0	1	LOW	
1	0	1	0	LOW	

**RESULT:** The comparator is designed & verified.

## Digital Electronics Lab (KEE-453)

---

---

### PRECAUTIONS:

- 1) Make the connections according to the IC pin diagram.
- 2) The connections should be tight.
- 3) The  $V_{cc}$  and ground should be applied carefully at the specified pin only.

### Quiz Questions with answer.

Q1. What is comparator?

Ans. Comparator compares the inputs (bits).

Q2. What are universal gates?

Ans. NAND, NOR.

Q3. What is the full form of BCD?

Ans. Binary Coded decimal.

Q4. What is the base of binary number system? Ans.

2

Q5. How many bits are there in one byte?

Ans. 8

Q6. How many digits are there in octal number system? Ans.

8

Q7. What is the binary no. equivalent to decimal no. 20?

Ans. 10100

Q8. How decimal no. minus 7 can be represented by 4 bit signed binary no's? Ans.

1111

Q9. Convert the octal no 67 into binary no.?

Ans. 110111

Q10. A binary digit is called?

Ans. Bit.

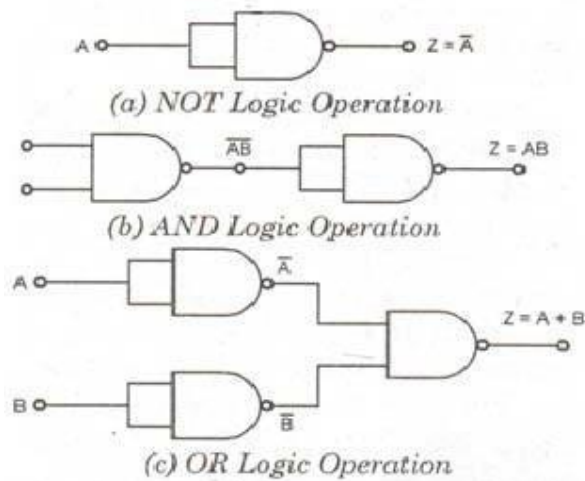
**EXPERIMENT NO:12**

**Aim: - To Study and Verify NAND as a Universal Gate.**

**APPARATUS REQUIRED:** Digital trainer kit, IC 7400 (NAND gate)

**BRIEF THEORY:** NAND OR NOR sufficient for the realization of any logic expression. because of this reason, NAND and NOR gates are known as UNIVERSAL gates.

**LOGIC DIAGRAM:**



**TRUTH TABLE:**

**NAND GATE AS INVERTER:** The circuit diagram of implementation of NAND gate as inverter.

A	Y
0	1
1	0

**NAND GATE AS AND GATE:**

The circuit diagram of implementation of NAND Gate as AND Gate.

A	B	Y
0	0	0
0	1	0
1	0	0
1	1	1

### **NAND GATE AS OR GATE:**

The circuit diagram of implementation of NAND Gate as OR Gate.

A	B	Y
0	0	0
0	1	1
1	0	1
1	1	1

### **PROCEDURE:**

1. Make the connections as per the logic diagram.
2. Connect +5v to pin 14 & ground to pin 7.
3. Apply diff combinations of inputs to the i/p terminals.
4. Note o/p for NAND as universal gate.
5. Verify the truth table.

### **Quiz Questions with answer.**

Q.1 Define Gates.

Ans. Gates are digital circuit, which perform a specific type of logical operation.

Q.2 Define IC?

Ans. IC means Integrated Circuit It is the integration of no. of components on a common substrate.

Q.3  $(A+A) A=?$

Ans. A.

Q.4 Define universal gates

Ans. We can design any type of logical expression by using universal gates.

Q.5 Will the output of a NAND Gate be 0.

Ans. When all the inputs are 1.

Q.6 Which IC is used for NAND GATE?

Ans. IC 7400.

Q.7 Why NAND is called as universal gate?

Ans. Because all gates can be made using circuits.

Q.8 Name any other universal gate?

Ans. NOR Gate.

Q.9 Which type of TTL gates can drive CMOS Gate?

Ans. TTL with open collector can derive CMOS.

Q.10 What is meant by literal?

Ans. A logical variable in a complemented or Un-complemented form is called a literal.

## EXPERIMENT NO:13

**AIM: - To Study 4 Bit ALU(IC 74181).**

**APPARATUS REQUIRED:** IC 74181, etc.

**BRIEF THEORY:**

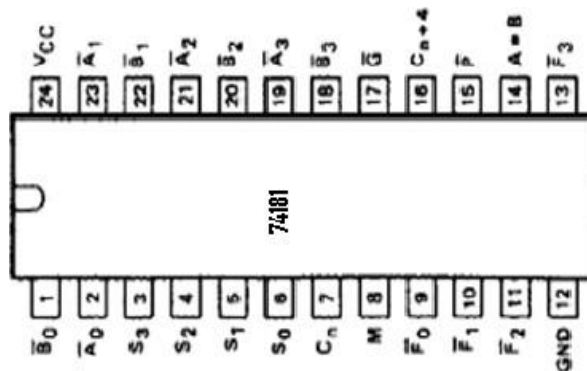
The 74181 is a 7400 series medium-scale integration (MSI) TTL integrated circuit, containing the equivalent of 75 logic gates and most commonly packaged as a 24-pin DIP. The 4-bit wide ALU can perform all the traditional add / subtract / decrement operations with or without carry, as well as AND / NAND, OR / NOR, XOR, and shift. Many variations of these basic functions are available, for a total of 16 arithmetic and 16 logical operations on two four-bit words. Multiply and divide functions are not provided but can be performed in multiple steps using the shift and add or subtract functions. Shift is not an explicit function but can be derived from several available functions including (A+B) plus A.

**PIN DETAIL & FUNCTION TABLE:**

PIN DESCRIPTION

PIN NO.	SYMBOL	NAME AND FUNCTION
1, 22, 20, 18	$\bar{B}_0$ to $\bar{B}_3$	operand inputs (active LOW)
2, 23, 21, 19	$\bar{A}_0$ to $\bar{A}_3$	operand inputs (active LOW)
6, 5, 4, 3	$S_0$ to $S_3$	select inputs
7	$C_n$	carry input
8	M	mode control input
9, 10, 11, 13	$\bar{F}_0$ to $\bar{F}_3$	function outputs (active LOW)
12	GND	ground (0 V)
14	A=B	comparator output
15	$\bar{P}$	carry propagate output (active LOW)
16	$C_{n+4}$	carry output
17	$\bar{G}$	carry generate output (active LOW)
24	$V_{CC}$	positive supply voltage

IC 74181



# Digital Electronics Lab (KEE-453)

## FUNCTION TABLES

MODE SELECT INPUTS				ACTIVE HIGH INPUTS AND OUTPUTS	
S <sub>3</sub>	S <sub>2</sub>	S <sub>1</sub>	S <sub>0</sub>	LOGIC (M=H)	ARITHMETIC <sup>(2)</sup> (M=L; C <sub>n</sub> =H)
L	L	L	L	$\overline{A}$	A
L	L	L	H	$\overline{A+B}$	A + B
L	L	H	L	$\overline{AB}$	A + $\overline{B}$
L	L	H	H	logical 0	minus 1
L	H	L	L	$\overline{AB}$	A plus $\overline{AB}$
L	H	L	H	$\overline{B}$	(A + B) plus $\overline{AB}$
L	H	H	L	A ⊕ B	A minus B minus 1
L	H	H	H	$\overline{AB}$	$\overline{AB}$ minus 1
H	L	L	L	$\overline{A+B}$	A plus AB
H	L	L	H	$\overline{A \oplus B}$	A plus B
H	L	H	L	B	(A + $\overline{B}$ ) plus AB
H	L	H	H	AB	AB minus 1
H	H	L	L	logical 1	A plus A <sup>(1)</sup>
H	H	L	H	A + $\overline{B}$	(A + B) plus A
H	H	H	L	A + B	(A + $\overline{B}$ ) plus A
H	H	H	H	A	A minus 1

### Notes to the function tables

- Each bit is shifted to the next more significant position.
- Arithmetic operations expressed in 2s complement notation.

H = HIGH voltage level

L = LOW voltage level

MODE SELECT INPUTS				ACTIVE LOW INPUTS AND OUTPUTS	
S <sub>3</sub>	S <sub>2</sub>	S <sub>1</sub>	S <sub>0</sub>	LOGIC (M=H)	ARITHMETIC <sup>(2)</sup> (M=L; C <sub>n</sub> =L)
L	L	L	L	$\overline{A}$	A minus 1
L	L	L	H	$\overline{AB}$	AB minus 1
L	L	H	L	$\overline{A+B}$	$\overline{AB}$ minus 1
L	L	H	H	logical 1	minus 1
L	H	L	L	$\overline{A+B}$	A plus (A + $\overline{B}$ )
L	H	L	H	$\overline{B}$	AB plus (A + $\overline{B}$ )
L	H	H	L	$\overline{A \oplus B}$	A minus B minus 1
L	H	H	H	A + $\overline{B}$	A + $\overline{B}$
H	L	L	L	$\overline{AB}$	A plus (A + B)
H	L	L	H	A ⊕ B	A plus B
H	L	H	L	B	$\overline{AB}$ plus (A + B)
H	L	H	H	A + B	A + B
H	H	L	L	logical 0	A plus A <sup>(1)</sup>
H	H	L	H	$\overline{AB}$	AB plus A
H	H	H	L	AB	$\overline{AB}$ plus A
H	H	H	H	A	A

### Notes to the function tables

- Each bit is shifted to the next more significant position.
- Arithmetic operations expressed in 2s complement notation.

H = HIGH voltage level

L = LOW voltage level

## PROCEDURE:

- Connections are made as shown in the Circuit diagram.
- Change the values of the inputs and verify at least 5 functions given in the function table

## PRECAUTIONS:

- Make the connections according to the IC pin diagram.
- The connections should be tight.
- The V<sub>cc</sub> and ground should be applied carefully at the specified pin only.

## Quiz Questions with answer

Q.1 What is the difference between a mnemonic code and machine code?



## Digital Electronics Lab (KEE-453)

---

---

Ans. Machine codes are in binary, mnemonic codes are in shorthand English.

Q.2 Which bus is a bidirectional bus?

Ans. Data Bus.

Q.3 Which of the following buses is primarily used to carry signals that direct other ICs to find out what type of operation is being performed?

Ans. control bus.

Q.4 Which of the following are the three basic sections of a microprocessor unit?

Ans. control and timing, register, and arithmetic/logic unit (ALU).

Q.5 The 8085A is a(n):

Ans. A 8-bit 8-bit parallel CPU.

Q.6 A register in the microprocessor that keeps track of the answer or results of any arithmetic or logic operation is the:

Ans. Accumulator.

Q.7 When was the first 8-bit microprocessor introduced?

Ans. 1971

Q.8 What type of circuit is used at the interface point of an output port?

Ans. Latch.

Q.9 What type of circuit is used at the interface point of an input port?

Ans. Tri-state buffer.

Q.10 The register in the 8085A that is used to keep track of the memory address of the next op-code to be run in the program is the:

Ans. program counter.

## **EXPERIMENT NO:14**

### **LIST OF MINI PROJECTS**

1. IR Remote Switch
2. Clap Switch
3. Water-Level Controller
4. LED-Based Message Display
5. Ultra-Bright LED Lamp
6. Ding-Dong Bell Infrared Cordless Headphone
7. Mobile Phone Battery Charger
8. Telephone Number Display
9. Automatic Night Lamp With Morning Alarm
10. Three-Colour Display Using Bi-Colour LEDs
11. Remote-Operated Musical Bell
12. Simple Telephone Ring Tone Generator
13. Anti-Theft Alarm For Bikes
14. Automatic Speed-Controller For Fans and Coolers
15. Digital Stop Watch
16. Power-Supply Failure Alarm
17. Dark Room Timer
18. Remote-Controlled Power-Off Switch
19. Simple Low-Cost Digital Code Lock
20. Number Guessing Game
21. Fire Alarm Using Thermistor
22. Simple Analogue To Digital Converter
23. PC-Based 7-Segment Rolling Display
24. IR Burglar Deterrent
25. Variable Power Supply Using a Fixed-Voltage Regulator IC
26. Digital Speedometer
27. Heat-Sensitive Switch
28. Fully Automatic Emergency Light
29. Running Message Display
30. School/College Quiz Buzzer
31. Digital Dice With Numeric Display
32. Dancing Lights
33. Ready -To-Use Object Counter Laptop Protector
34. PC Based Digital Clock
35. Fancy Christmas Light

## AN EXAMPLE

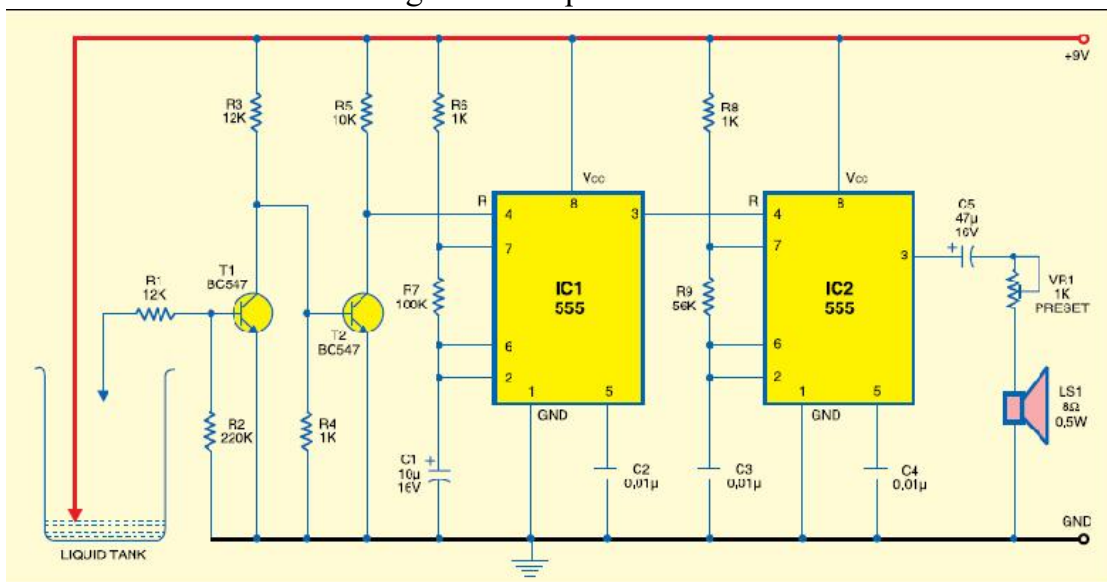
### AIM: - Liquid Level Alarm

**APPARATUS REQUIRED:** Components as shown in the circuit diagram ( such as 555IC,, soldering iron and solder flux and PCB board .

**BRIEF THEORY:** Here is a simple circuit for (T1 and T2) and two timers 555 ICs (IC1 and IC2). Both IC1 and IC2 are wired in astable multivibrator mode. Timer IC1 produces low frequency, while timer IC2 produces high frequency. As a result, a beeping tone is generated when the liquid tank is full. Initially, when the tank is empty, transistor T1 does not conduct. Consequently, transistor T2 conducts and pin 4 of IC1 is low. This low voltage disables IC1 and it does not oscillate. The low output of IC1 disables IC2 and it does not oscillate. As a result, no sound is heard from the speaker. But when the tank gets filled up, transistor T1 conducts. Consequently, transistor T2 is cut off and pin 4 of IC1 becomes high. This high voltage enables IC1 and it oscillates to produce low frequencies at pin 3. This low-frequency output enables IC2 and it also oscillates to produce high frequencies. As a result, sound is produced from the speaker. Using preset VR1 you can control the volume of the sound from the speaker. The circuit can be powered from a 9V battery or from mains by using a 9V power adaptor.

### CIRCUIT DIAGRAM:

Circuit Diagram of Liquid Level Alarm



## Digital Electronics Lab (BEE-453)

---

**PROCEDURE:** Assemble the circuit on a general purpose PCB and enclose in a suitable cabinet. Install two water-level probes using metal strips such that one touches the bottom of the tank and the other touches the maximum level of the water in the tank. Interconnect the sensor and the circuit using a flexible wire.

**PRECAUTIONS:**

- 1) Make the connections according to the Circuit diagram using soldering iron
- 2) The connections should be tight.

The  $V_{cc}$  and ground should be applied carefully at the specified pi